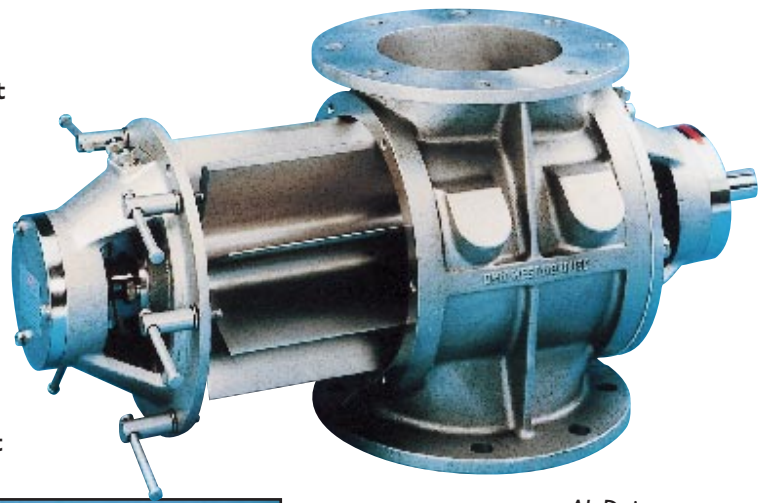


# AL-BL DAIRY

- USDA\* approved
- Easy removal of rotor for fast and efficient cleaning
- Smooth product contact surfaces in food grade material
- Rotor pockets radiused and polished to  $R_a = 0.8 \mu\text{m}$  (150 grit)
- Rotor vanes chamfered on all edges
- Flame proof and explosion shock resistant versions available



AL-Dairy



BL-Dairy



## AL-BL Dairy valves

The DMN-WESTINGHOUSE AL air lock and BL blow through Dairy valves have been designed for use in the food, chemical and pharmaceutical industries where very high standards apply.

The construction of the valve is designed to avoid bacteriological contamination. All product contact surfaces are in food grade material and smoothly polished.

The Dairy valves are available in 6 sizes covering a capacity range from approximately 2.5 to 58 litre per revolution at 100 % filling.

The valves have a USDA certificate of approval for use in dairy plants.

## Product information

The body and end covers are made from AISI 316 stainless steel (DIN 1.4408). The rotor is made from AISI 316L (DIN 1.4404).

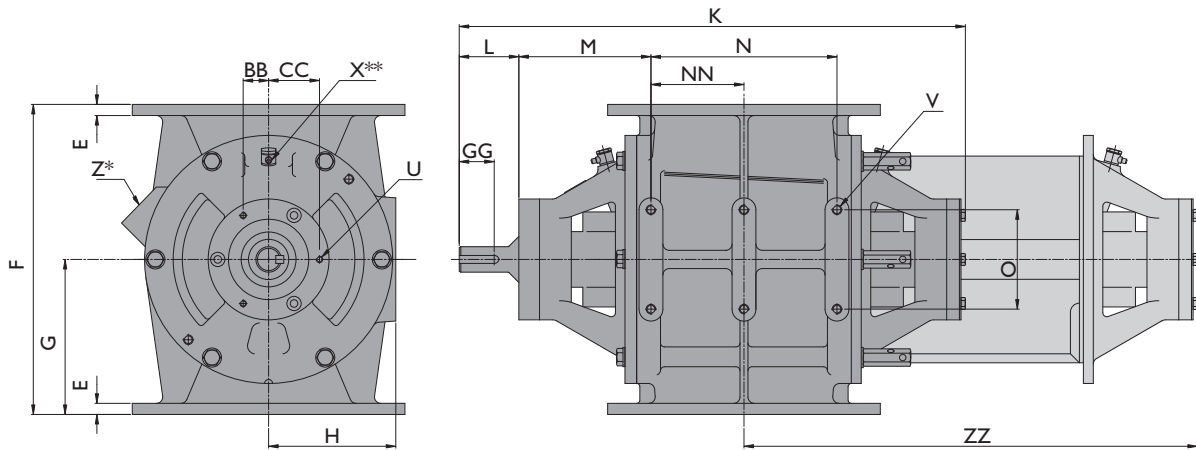
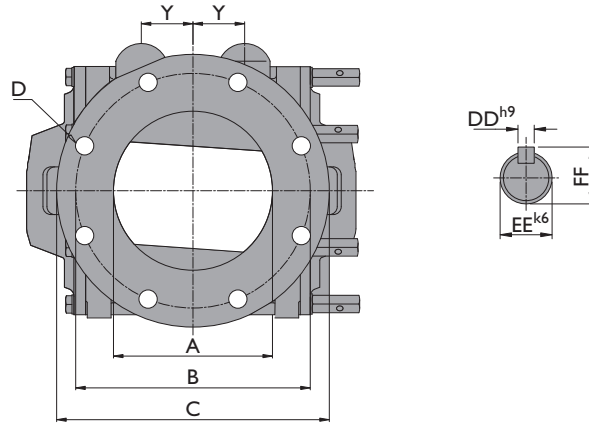
Shaft sealing can be glands or air purge.

The standard models are suitable for temperatures up to 80 °C and a pressure up to 2 bar g.

Flame proof and explosion shock resistant versions up to 10 bar g are also available.

\*United States Department of Agriculture

The AL and BL Dairy valves are also available in MZC version with centrally placed supporting bars for easy removal of end cover and rotor. (see also photograph on last page)



\* Standard not pre-drilled  
Standaard niet voorgeboord  
Standard nicht gebohrt  
Standard pas percé

\*\* Air purge connection  
Aansluiting luchtafdichting  
Luftpülanschluss  
Connexion insufflation d'air

<--DISASSEMBLY DIMENSION/DEMONTAGEMAAT-->  
<--DEMONTIERMASSE/DIMENSION DE DÉMONTAGE-->

Type AL	Ltr/rev	ØA	DIN			ANSI			E	F	G	H	K	L	M	N	NN
			ØB	D	ØC	ØB	D										
150	2.5	150	240	8xØ23	285	241.3	8xØ22.2	12	280	140	110	521	72	151	146	—	
175	5.5	175	270	8xØ23	315	—	—	14	330	165	130	561	72	149	190	—	
200	10.5	200	295	8xØ23	343	298.4	8xØ22.2	14	390	195	160	646	84	166	234	—	
250	19	250	350	12xØ23	406	361.9	12xØ25.4	16	450	225	190	696	84	166	284	142	
300	34	300	400	12xØ23	483	431.8	12xØ25.4	21	540	270	225	804	80	185	360	180	
350	58	350	460	16xØ23	530	476.2	12xØ28.6	26	660	330	270	874	80	190	420	210	

Type AL	O*	U	V	X**	Y	Z	AA	BB	CC	DD	EE	FF	GG	ZZ
150	100	3xM6	4xM10	1/4" (Ø10)	40	UNEF 1 1/8"	37.1	37.1	52.5	8	30	33	35	532
175	100	3xM6	4xM10	1/4" (Ø10)	53	UNEF 1 1/8"	37.1	37.1	52.5	8	30	33	35	592
200	125	3xM8	4xM12	1/4" (Ø10)	65	UNEF 1 1/8"	55.4	32	64	10	32	35	43	692
250	125	3xM8	6xM12	1/4" (Ø10)	75	UNEF 1 1/8"	55.4	32	64	10	32	35	43	767
300	125	3xM10	6xM12	1/4" (Ø10)	95	UNEF 1 1/8"	73.6	85	42.5	10	38	41	44	915
350	125	3xM10	6xM12	1/4" (Ø10)	112	UNEF 1 1/8"	73.6	85	42.5	10	38	41	44	1000

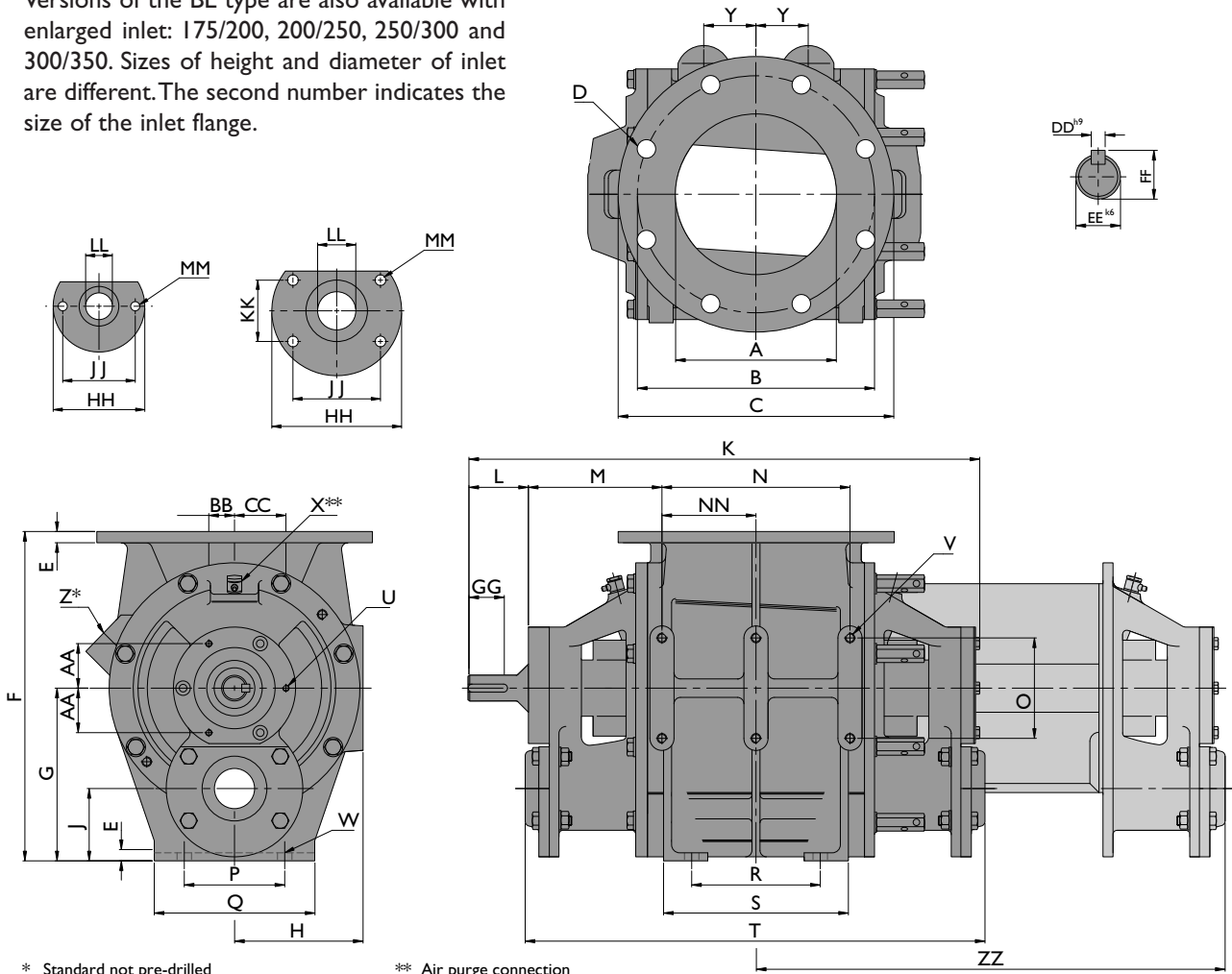


# BL DAIRY

Technical modifications are possible, dimensions in mm

BL.M.04.00.E

Versions of the BL type are also available with enlarged inlet: 175/200, 200/250, 250/300 and 300/350. Sizes of height and diameter of inlet are different. The second number indicates the size of the inlet flange.



\* Standard not pre-drilled  
 Standaard niet voorgeboord  
 Standard nicht gebohrt  
 Standard pas percé

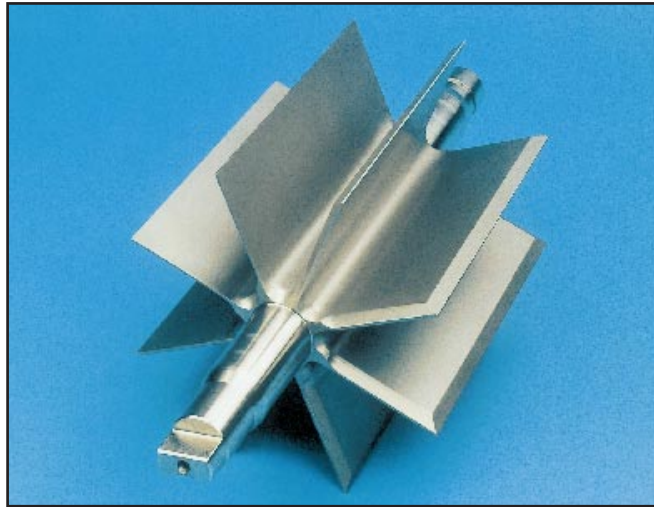
\*\* Air purge connection  
 Aansluiting luchtfachting  
 Luftspülanschluss  
 Connexion insufflation d'air

<--DISASSEMBLY DIMENSION/DEMONTAGEMAAT-->  
 <--DEMONTIERMASSE/DIMENSION DE DÉMONTAGE-->

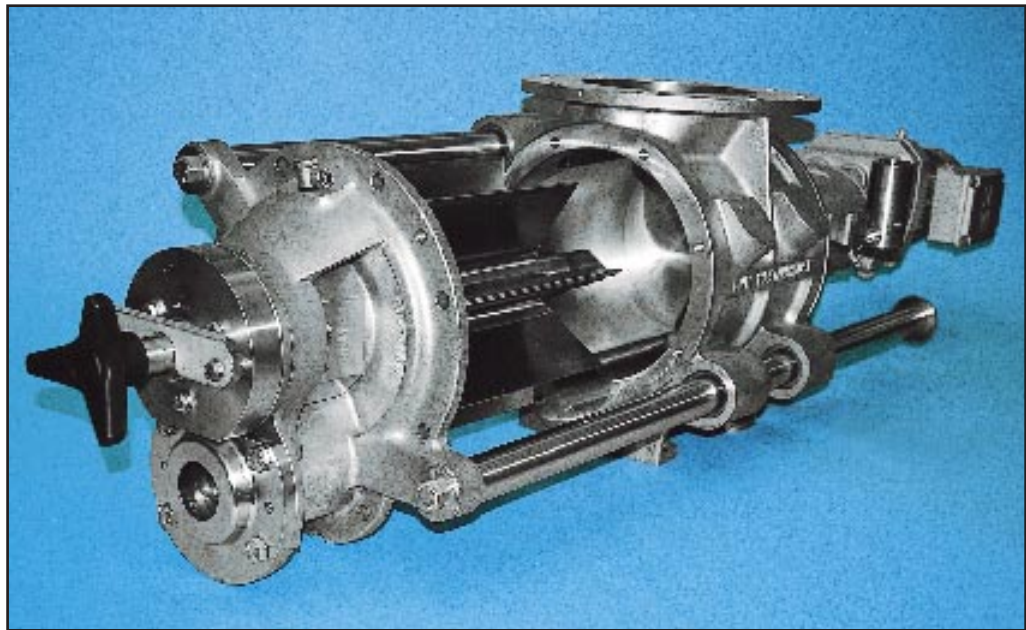
Type BL	Ltr/rev	DIN				ANSI				E	F	G	H	J	K	L	M	N	NN	O	P	Q	R	S
		ØA	ØB	D	ØC	ØB	D																	
150	2.5	150	240	8xØ23	285	241.3	8xØ22.2	12	295	155	110	65	521	72	151	146	—	100	110	140	100	154		
175	5.5	175	270	8xØ23	315	—	—	14	340	175	130	75	561	72	149	190	—	100	130	160	130	190		
200	10.5	200	295	8xØ23	343	298.4	8xØ22.2	14	410	215	160	90	646	84	166	234	—	125	160	200	160	230		
250	19	250	350	12xØ23	406	361.9	12xØ25.4	16	470	245	190	100	696	84	166	284	142	125	170	210	200	274		
300	34	300	400	12xØ23	483	431.8	12xØ25.4	21	565	295	225	120	804	80	185	360	180	125	190	240	260	350		
350	58	350	460	16xØ23	530	476.2	12xØ28.6	26	665	335	270	132	874	80	190	420	210	125	220	270	310	410		

Type BL	T	U	V	W	X	Y	Z	AA	BB	CC	DD	EE	FF	GG	HH	JJ	KK	LL	LL max.	MM	ZZ
150	462	3xM6	4xM10	4xØ12	1/4"(Ø10)	40	UNEF 1 1/8"	37.1	37.1	52.5	8	30	33	35	120	95	—	35	50	2x12	540
175	502	3xM6	4xM10	4xØ14	1/4"(Ø10)	53	UNEF 1 1/8"	37.1	37.1	52.5	8	30	33	35	140	103.9	60.4	50	65	4x12	600
200	572	3xM8	4xM12	4xØ18	1/4"(Ø10)	65	UNEF 1 1/8"	55.4	32	64	10	32	35	43	170	114.7	80.3	50	80	4x14	700
250	622	3xM8	6xM12	4xØ18	1/4"(Ø10)	75	UNEF 1 1/8"	55.4	32	64	10	32	35	43	190	125	100	70	100	4x14	775
300	724	3xM10	6xM12	4xØ23	1/4"(Ø10)	95	UNEF 1 1/8"	73.6	85	42.5	10	38	41	44	230	163.8	114.7	100	125	4x14	915
350	794	3xM10	6xM12	4xØ23	1/4"(Ø10)	112	UNEF 1 1/8"	73.6	85	42.5	10	38	41	44	244	152	152	125	150	4x14	1000

# AL-BL DAIRY



With the standard Daiby rotor the friction between end cover and rotor is minimal.



The AL and the BL Dairy valves are also available in the MZC-version with centrally placed support bars for easy removal of end cover and rotor. (see special product leaflet)

DMN-WESTINGHOUSE have been designing and manufacturing rotary valves, diverter valves and other related components for the bulk solids handling industry for more than 30 years. Offering tailor made solutions for chemical, food, plastics and pharmaceutical industries, DMN-WESTINGHOUSE products are distributed world-wide.

Besides an extensive range of standard components, we supply USDA approved sanitary versions and explosion-proof models.

An extensive network of subsidiaries, distributors and representatives ensures a high level of service and support all over the world.

© DMN - HOLLAND - 2001

#### Head Office:

**DMN Machinefabriek Noordwykerhout B.V.**

P.O. Box 6, 2210 AA Noordwijkerhout, Holland

Tel. +31 252 361 800 Fax +31 252 375 972

E-mail: [dmn@dmn-nwh.nl](mailto:dmn@dmn-nwh.nl)

**Internet: [www.dmn.info](http://www.dmn.info)**



**DMN**  
WESTINGHOUSE

#### Subsidiaries:

##### DMN U.K. Ltd.

Unit 1&2, Harris Road,  
Porte Marsh Industrial Estate  
Calne, Wiltshire, SN 11 9PT, U.K.  
Tel. +44 1249 818 400  
Fax +44 1249 818 410  
E-mail: [dmn@dmnuk.com](mailto:dmn@dmnuk.com)

##### DMN Schüttguttechnik GmbH

Rütgerstrasse 8  
D-21244 Buchholz i.d. Ndh, Germany  
Tel. +49 4181 931 40  
Fax +49 4181 931 490  
E-mail: [dmn-sgt@t-online.de](mailto:dmn-sgt@t-online.de)

##### DMN Italia S.r.l.

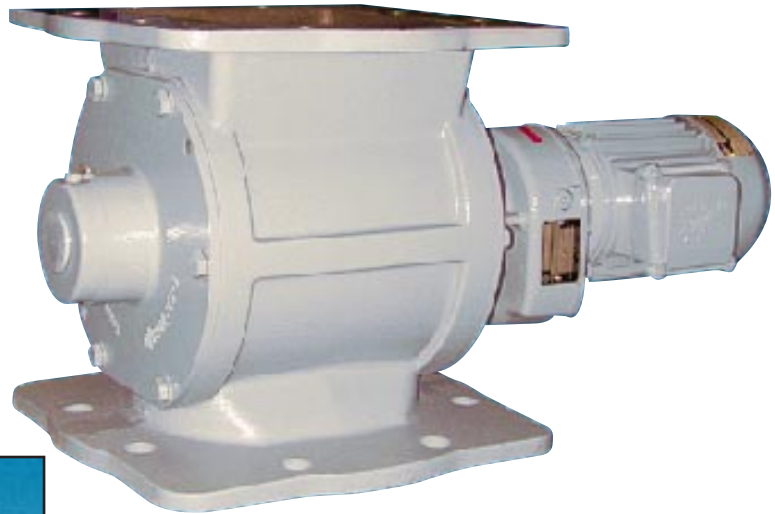
Via Teresa Noce, 2  
20060 Pessano Con Bornago (MI), Italy  
Tel. +39 02 950 4747  
Fax +39 02 950 4775  
E-mail: [dmn@dmnitaly.com](mailto:dmn@dmnitaly.com)

##### DMN Incorporated

3895 South Perkins Road, Suite 8  
Memphis, TN 38118, U.S.A.  
Tel. +1 901 360 1537  
Fax +1 901 360 0348  
E-mail: [dmnfo@dmn-inc.com](mailto:dmnfo@dmn-inc.com)

## DMN-WESTINGHOUSE

- Minimum air leakage
- Polyurethane rotor blades
- Suitable for both round and square counter flanges
- Ex stock delivery



### DL

The DMN-WESTINGHOUSE DL (**D**ust **L**ock) is of a dedicated design for filter applications. The universal flanges on both sides of the valve are drilled to PN 10 and suitable for both round and square counter flanges.

The inlet of the valve is square, therefore accommodating both round and square outlets from the vessel that has to be discharged. The angle of the inlet down to the rotor has been kept as steep as possible, to reduce the chance of bridging. The outlet from the valve is round, so that you can discharge into either a round or square connection.

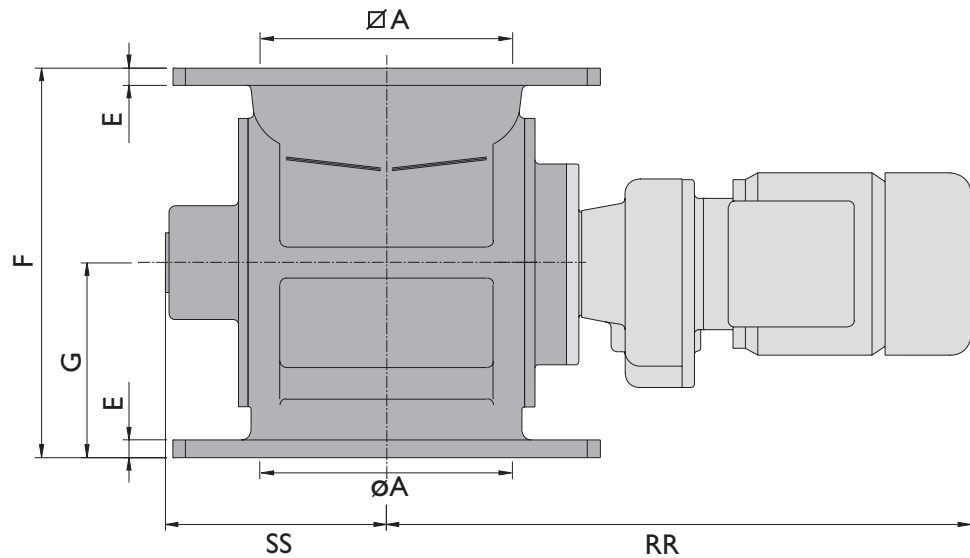
### Product information

The DL valve has a very large inlet and a direct drive, providing ample torque to drive the rotor, which has 6 replaceable and adjustable polyurethane blades. An optional steel fixed bladed rotor is also available.

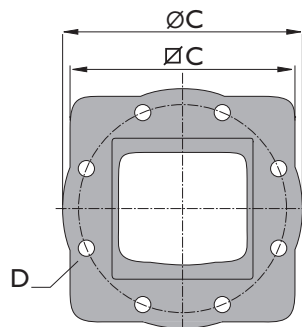
The standard drive is a Nord helical geared motor, type SK01-F-71L/4, 0.37 kW, IP 55, isol. F, giving 27 rpm at 50 Hz and 32.4 rpm at 60 Hz. Suitable for 230/400V 50 Hz and 278/480V 60 Hz.

The standard model is suitable for handling products up to a temperature of 70 °C and a maximum pressure differential of 0.5 bar. The valve is pressure shock resistant up to 10 bar pressure.

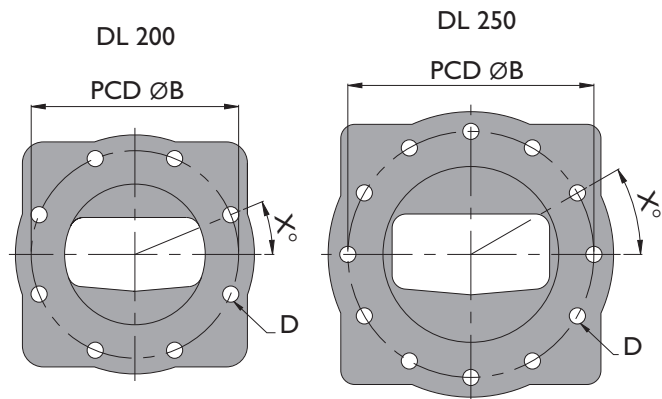




### INLET



### OUTLET



DMN-WESTINGHOUSE have been designing and manufacturing rotary valves, diverter valves and other related components for the bulk solids handling industry for more than 30 years. Offering tailor made solutions for chemical, food, plastics and pharmaceutical industries, DMN-WESTINGHOUSE products are distributed world-wide. Besides an extensive range of standard components, we supply USDA approved sanitary versions and explosion-proof models. An extensive network of subsidiaries, distributors and representatives ensures a high level of service and support all over the world.

Type DL	Ltr/rev	ØA	∅A	ØB	ØC	∅C	D	E	F	G	X	RR	SS
200	6	200	200	295	340	320	8XØ23	14	310	155	22,5°	480	176
250	8,5	250	250	350	406	370	12XØ23	15	325	162,5	30°	485	196

### Head Office:

#### DMN Machinefabriek Noordwykerhout B.V.

P.O. Box 6, 2210 AA Noordwijkerhout, Holland  
 Tel. +31 252 361 800 Fax +31 252 375 972  
 E-mail: dmn@dmn-nwh.nl

**Internet: www.dmn.info**



© DMN - HOLLAND - 2001

### Subsidiaries:

#### DMN U.K. Ltd.

Unit 1&2, Harris Road,  
 Porte Marsh Industrial Estate  
 Calne, Wiltshire, SN 11 9PT, U.K.  
 Tel. +44 1249 818 400  
 Fax +44 1249 818 410  
 E-mail: dmn@dmnuk.com

#### DMN Schüttguttechnik GmbH

Rütgerstrasse 8  
 D-21244 Buchholz i.d. Ndh, Germany  
 Tel. +49 4181 931 40  
 Fax +49 4181 931 490  
 E-mail: dmn@dmn-schuettingtechnik.de

#### DMN Italia S.r.l.

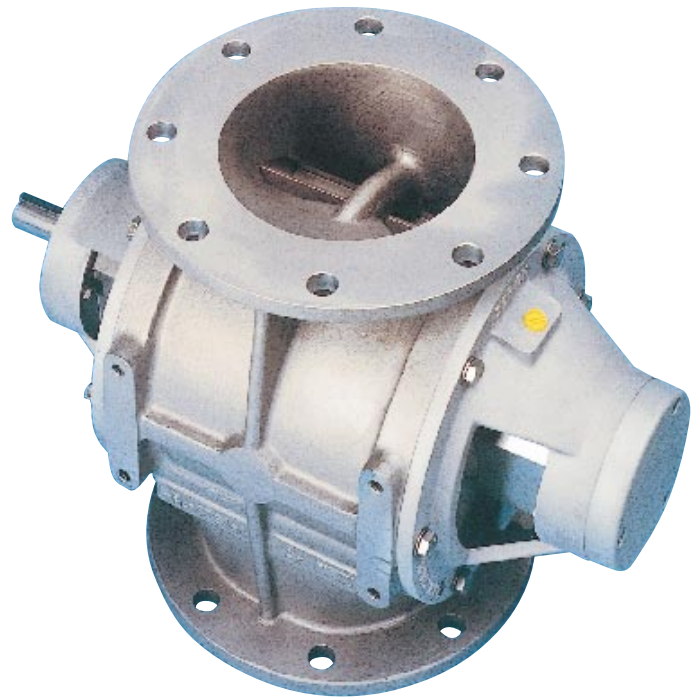
Via Teresa Noce, 2  
 20060 Pessano Con Bornago (MI), Italy  
 Tel. +39 02 950 4747  
 Fax +39 02 950 4775  
 E-mail: dmn@dmnitaly.com

#### DMN Incorporated

3895 South Perkins Road, Suite 8  
 Memphis, TN 38118, U.S.A.  
 Tel. +1 901 360 1537  
 Fax +1 901 360 0348  
 E-mail: dmnfo@dmn-inc.com

## DMN-WESTINGHOUSE

- Maximum protection against product degradation
- High filling efficiency
- Large air vent openings
- Robust construction
- Available with direct drive or chain driven
- Flanges drilled in accordance with DIN ND 10, ANSI 150 lbs and JIS



### GL Granular valves

DMN-WESTINGHOUSE GL valves are specially designed for gravity feeding and pneumatically conveying granular products. The configuration of the body and rotor has been developed specifically to minimise degradation whilst retaining the best possible pocket filling efficiency.

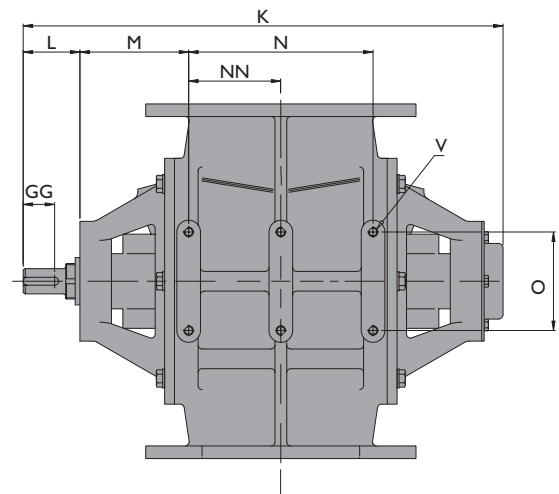
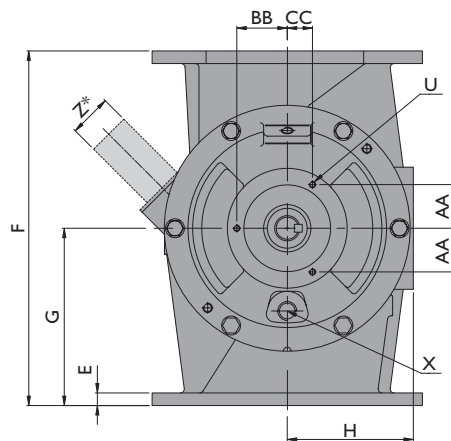
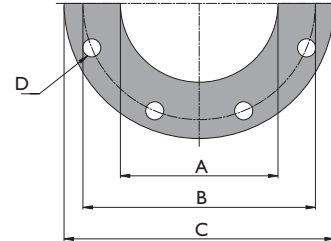
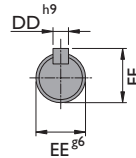
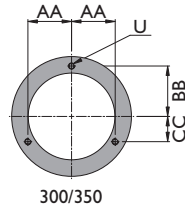
GL valves come in 5 sizes, covering a capacity range from approximately 5 to 79 liters per revolution at 100 % filling.

### Product information

Three different body configurations are available: all stainless steel, stainless steel body with aluminium end covers and all aluminium. The aluminium configuration is anodised.

The full end disc rotor is made of 316 stainless steel. The end covers have outriggered ballbearings and the shaft is sealed with gland packings. The construction of the inlet minimises chopping of the product.

Standard models are suitable for handling products up to a temperature of 150 °C and a maximum pressure difference of 1.5 bar. Other options are available on request.



DMN-WESTINGHOUSE have been designing and manufacturing rotary valves, diverter valves and other related components for the bulk solids handling industry for more than 30 years. Offering tailor made solutions for chemical, food, plastics and pharmaceutical industries, DMN-WESTINGHOUSE products are distributed world-wide. Besides an extensive range of standard components, we supply USDA approved sanitary versions and explosion-proof models. An extensive network of subsidiaries, distributors and representatives ensures a high level of service and support all over the world.

Type GL	Ltr/rev	DIN			ANSI			E	F	G	H	K	L	M	N	NN	O
		ØA	ØB	D	ØC	ØB	D										
150	5	150	240	8XØ23	285	241.3	8XØ22.2	12	360	180	130	524	60	125	190	—	100
200	10	200	295	8XØ23	343	298.4	8XØ22.2	16	450	225	160	609	72	138	234	—	125
250	17.5	250	350	12XØ23	406	361.9	12XØ25.4	18	500	250	190	659	72	138	284	142	125
300	32	300	400	12XØ23	483	431.8	12XØ25.4	23	600	300	225	763	74	150	360	180	125
350	79	350	460	16XØ23	530	476.2	12XØ28.6	28	750	375	295	883	74	155	470	235	125

Type GL	U	V	X	Z	AA	BB	CC	DD	EE	FF	GG
150	3XM6	4XM10	3/8"	Ø48.3x2	37.1	52.5	37.1	8	30	33	35
200	3XM8	4XM12	1/2"	Ø60.3x2	55.4	64	32	10	32	35	43
250	3XM8	6XM12	1/2"	Ø76.1x2	55.4	64	32	10	32	35	43
300	3XM10	6XM12	3/4"	Ø88.9x2	73.6	85	42.5	10	38	41	44
350	3XM10	6XM12	3/4"	Ø88.9x2	73.6	85	42.5	10	38	41	44

\* Optie : Ontluchtingspijp  
Option: Vent pipe  
Option: Entluchungsrohr  
Option: Tube de degazage

**Head Office:**  
**DMN Machinefabriek Noordwykerhout B.V.**  
 P.O. Box 6, 2210 AA Noordwijkerhout, Holland  
 Tel. +31 252 361 800 Fax +31 252 375 972  
 E-mail: dmn@dmn-nwh.nl

**Internet: www.dmn.info**



© DMN - HOLLAND - 2001

**Subsidiaries:**  
**DMN U.K. Ltd.**  
 Unit 1&2, Harris Road,  
 Porte Marsh Industrial Estate  
 Calne, Wiltshire, SN 11 9PT, U.K.  
 Tel. +44 1249 818 400  
 Fax +44 1249 818 410  
 E-mail: dmn@dmnuk.com

**DMN Schüttguttechnik GmbH**  
 Rütgerstrasse 8  
 D-21244 Buchholz i.d. Ndh, Germany  
 Tel. +49 4181 931 40  
 Fax +49 4181 931 490  
 E-mail: dmn@dmn-schuetttguttechnik.de

**DMN Italia S.r.l.**  
 Via Teresa Noce, 2  
 20060 Pessano Con Bornago (MI), Italy  
 Tel. +39 02 950 4747  
 Fax +39 02 950 4775  
 E-mail: dmn@dmnitaly.com

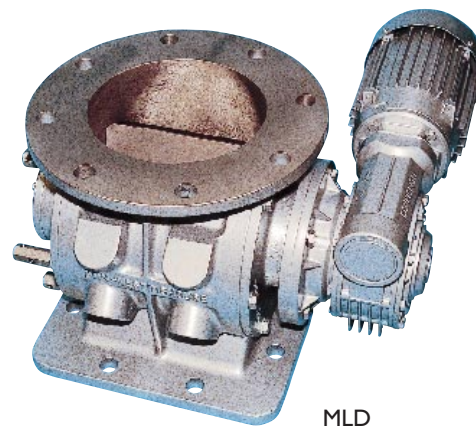
**DMN Incorporated**  
 3895 South Perkins Road, Suite 8  
 Memphis, TN 38118, U.S.A.  
 Tel. +1 901 360 1537  
 Fax +1 901 360 0348  
 E-mail: dmnfo@dmn-inc.com



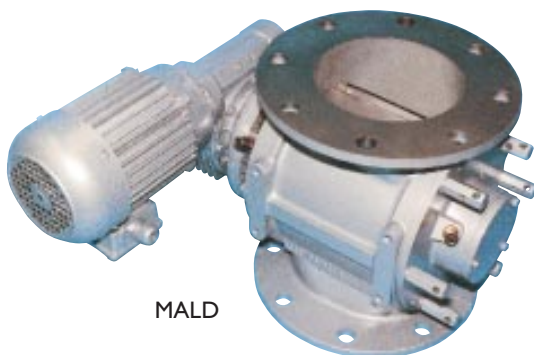
DMN-WESTINGHOUSE

# MALD-MLD-MGLD

- Easy detachable non-drive side end cover and rotor assembly
- Compact design
- Substantial construction
- Pressure surge proof up to 10 bar g
- Large range of options available
- Sheared angle inlet
- Air purge shaft seals optional
- Flange drillings available to DIN ND 10, ANSI 150 lbs and JIS standards
- Direct Bonfiglioli or SEW drive (optional chain drive)
- Ideal for inverter control



MLD



MALD



MGLD

## MALD, MLD and MGLD air locks

The MALD, MLD and MGLD valves have been developed for applications where valves with outboard bearings would be over specified. The valves give exceptional value for money due to the simplified construction and direct drive. The basic construction of the three valves is the same, with the exception of the bodies.

The valves are suited for both conveying and metering purposes. They are ideal for vacuum conveying applications, Big bag unloading, cyclone applications and general purpose applications.

	MLD	MALD	MGLD
Sizes	7	7	5
Capacity range*	0.8-58	0.8-58	5-79

\*litre per revolution at 100 % filling

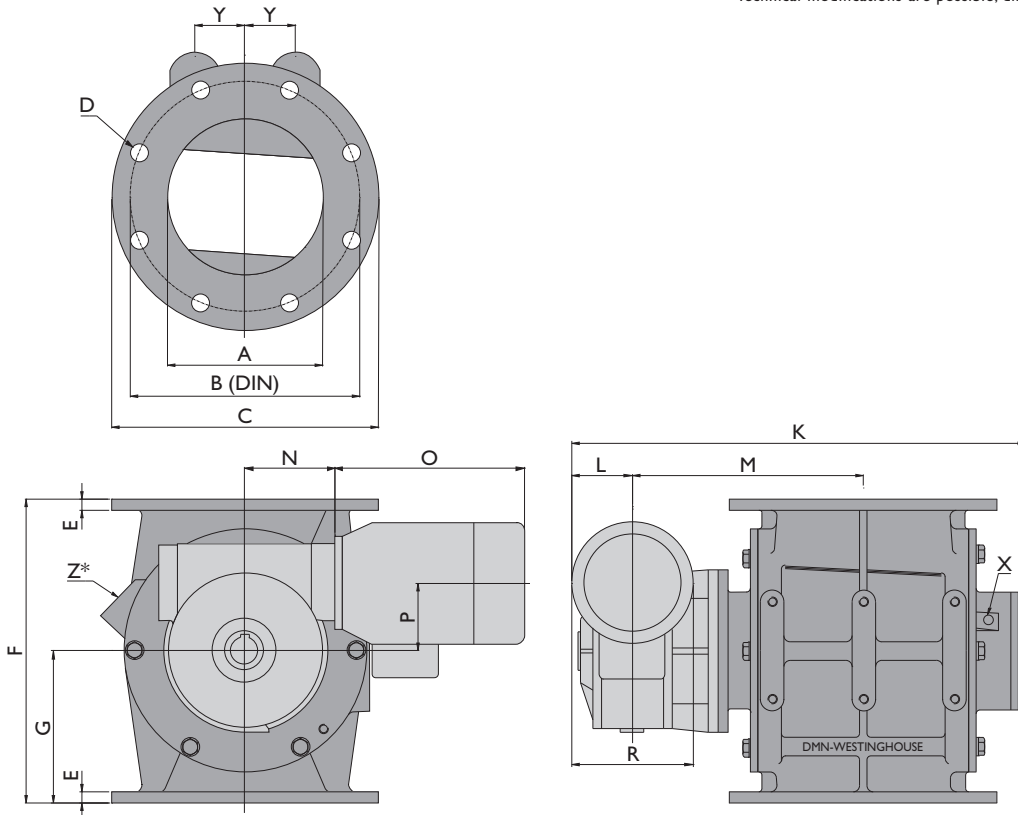
## Product information

The valves are available in three materials of construction: cast iron, aluminium and stainless steel. The cast iron valves are also available nickel or chrome plated or tungsten coated.

The standard rotor has 8 fixed blades. Various rotor configurations are optionally available, such as adjustable blades, reduced capacity, scalloped, staggered, etc.

The end covers have inboard ball bearings. The shaft sealing is by means of lipseals, with the option of air purge.

The standard models are suitable for handling products up to a temperature of 70 °C, optional to 140 °C, and a maximum pressure differential of 1.5 bar. The valves are pressure shock resistant up to 10 bar g pressure.



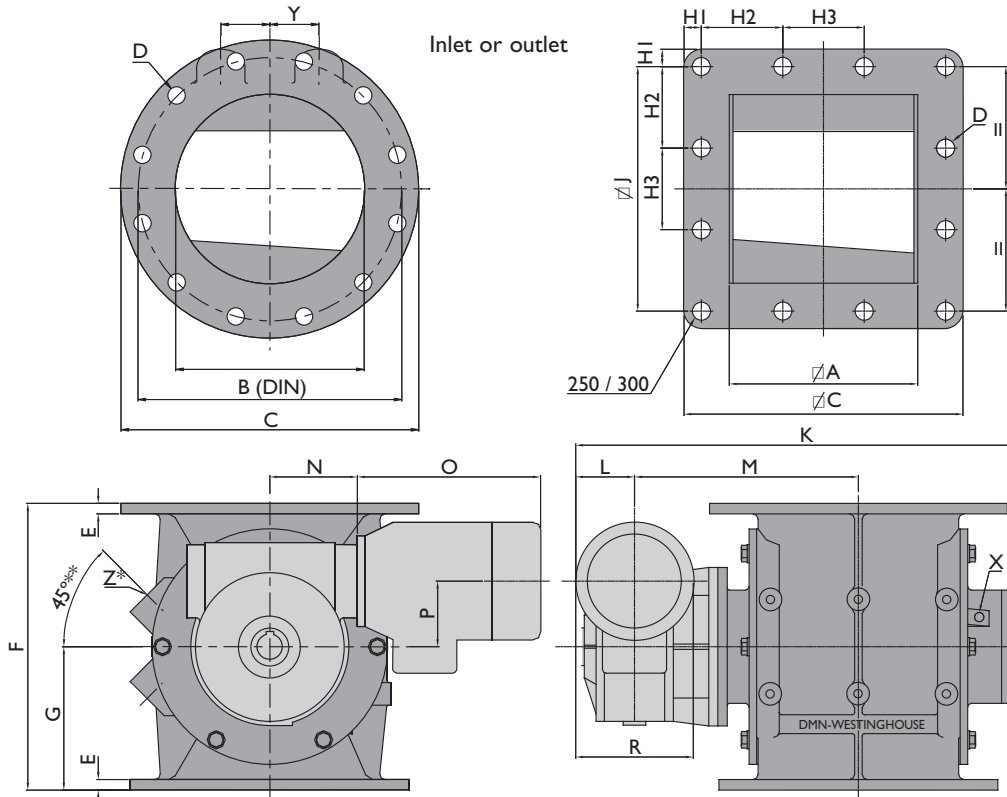
Type MALD	Ltr/rev	ØA	ØB	ØC	D	E	F	G	K	L	M	N	O	P	R	X	Y	Z*
100	0,8	100	170	210	4xØ18	10,5	180	90	364	70	176	60	229	49	140	1/8"	-	-
150	2,5	150	240	285	8xØ23	12	280	140	457	70	226	84	230	62	140	1/4"	40	3/4"
175	5,5	175	270	315	8xØ23	14	330	165	506	80	245	106	243	72	160	1/4"	53	1"
200	10,5	200	295	343	8xØ23	14	390	195	586	80	297	116	243	87	160	1/4"	65	1 1/4"
250	19	250	350	406	12xØ23	16	450	225	646	90	322	116	262	87	180	1/4"	75	1 1/4"
300	34	300	400	483	12xØ23	21	540	270	758	95	388	143	272	110	190	3/8"	95	1 1/2"
350	58	350	460	530	16xØ23	26	660	330	826	95	423	143	272	110	190	3/8"	112	1 1/2"

Type MALD	Type Bonfiglioli	≥ Nm
100	VF49	70
150	VF63	145
175	VF72	145
200	VF86	215
250	VF86	290
300	VF110	360
350	VF110	510

\* Standard pre-drilled for cast iron

### MALD

The MALD valve utilises the AL-valve body which has two round flanges and is suitable for powders. This valve is suitable for many applications where a valve with outboard bearings would be over specified.



\*\* 0° for size 100

Type MLD	Ltr/rev	$\varnothing A$	$\varnothing B$	$\varnothing C$	$\varnothing D$	$\varnothing J$	D	E	F	G	H1	H2	H3	$\varnothing J$	K	L	M	N	O	P
100	0,8	100	170	210	175	4x $\varnothing 18$	10,5	170	85	20	135	-	135	364	70	176	60	229	49	
150	2,5	150	240	285	267	8x $\varnothing 23$	11	275	138	88	92	-	222	457	70	226	84	230	62	
200	5,5	200	295	340	320	8x $\varnothing 23$	14	325	163	104	113	-	273	506	80	245	106	243	72	
250	10,5	250	350	395	370	12x $\varnothing 23$	14	380	190	23	108	108	324	586	80	297	116	243	87	
300	19	300	400	483	445	12x $\varnothing 23$	21	450	225	31	128	128	384	646	90	322	116	262	87	
350	34	350	460	530	530	16x $\varnothing 23$	21	540	270	109	104	104	460	758	95	388	143	272	110	
400	58	400	515	595	595	16x $\varnothing 23$	26	660	330	125	115	115	515	826	95	423	143	272	110	

Type MLD	R	X	Y	Z*	Type Bonfiglioli	$\geq Nm$
100	140	1/8	-	1/2"	VF49	70
150	140	1/4	40	3/4"	VF63	145
200	160	1/4	53	1"	VF72	145
250	160	1/4	65	1 1/4"	VF86	215
300	180	1/4	75	1 1/4"	VF86	290
350	190	3/8	95	1 1/2"	VF110	360
400	190	3/8	112	1 1/2"	VF110	510

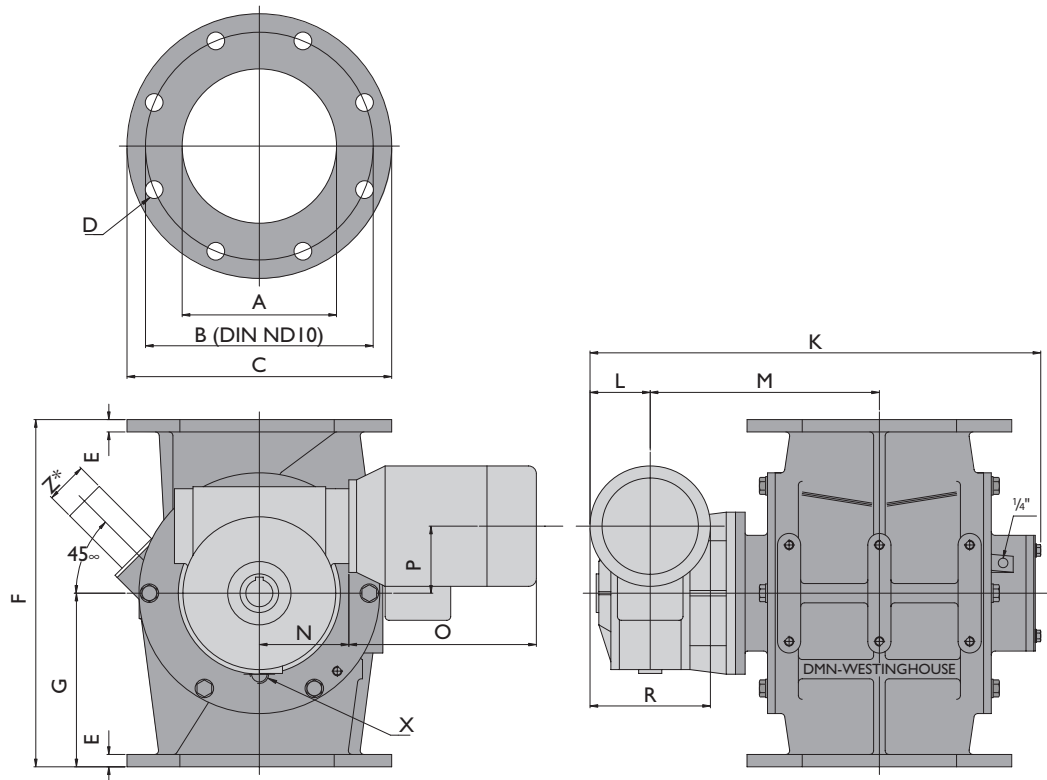
\*Vent openings standard not pre-drilled

### MLD

The MLD valve is based on the ML-valve body and is suitable for handling powders. The valve has one round flange and one square flange, both of which are one size larger than the MALD for the same rotor capacity. By this the valve has a large inlet in relation to the rotor volume, so that high filling efficiencies are reached with free flowing products. The valve can also be used as a transition piece from round to square or vice versa.

# MGLD

Technical modifications are possible, dimensions in mm MGLD.M.01.14.D



DMN-WESTINGHOUSE have been designing and manufacturing rotary valves, diverter valves and other related components for the bulk solids handling industry for more than 30 years. Offering tailor made solutions for chemical, food, plastics and pharmaceutical industries, DMN-WESTINGHOUSE products are distributed world-wide.

Besides an extensive range of standard components, we supply USDA approved sanitary versions and explosion-proof models.

An extensive network of subsidiaries, distributors and representatives ensures a high level of service and support all over the world.

© DMN - HOLLAND - 2001

Type MGLD	Ltr/rev	ØA	ØB	ØC	D	E	F	G	K	L	M	N	O	P	R	X	Z*
150	5	150	240	285	8xØ23	12	360	180	506	80	245	106	243	72	160	3/8"	Ø48,3x2
200	10	200	295	343	8xØ23	16	450	225	586	80	297	116	243	87	160	1/2"	Ø48,3x2
250	17,5	250	350	406	12xØ23	18	500	250	646	90	322	116	262	87	180	1/2"	Ø48,3x2
300	32	300	400	483	12xØ23	23	600	300	758	95	388	143	272	110	190	3/4"	Ø48,3x2

Type MGLD	Type Bonfiglioli	≥ Nm
150	VF72	145
200	VF86	215
250	VF86	290
300	VF110	360

\* Vent hole

## MGLD

The MGLD valve is based on the GL-valve body and is suitable for granular products, definitely not for powders. The valve has a large air vent opening. Degradation of the conveyed product has been minimised by the configuration of the body and rotor, whilst optimal pocket filling efficiency is still attained. The full end disc rotor is made of 316 stainless steel.

### Head Office:

#### DMN Machinefabriek Noordwykerhout B.V.

P.O. Box 6, 2210 AA Noordwijkerhout, Holland  
Tel. +31 252 361 800 Fax +31 252 375 972  
E-mail: dmn@dmn-nwh.nl

Internet: [www.dmn.info](http://www.dmn.info)



**DMN**  
WESTINGHOUSE

### Subsidiaries:

#### DMN U.K. Ltd.

Unit 1&2, Harris Road,  
Porte Marsh Industrial Estate  
Calne, Wiltshire, SN 11 9PT, U.K.  
Tel. +44 1249 818 400  
Fax +44 1249 818 410  
E-mail: dmn@dmnuk.com

#### DMN Schüttguttechnik GmbH

Rütgerstrasse 8  
D-21244 Buchholz i.d. Ndh, Germany  
Tel. +49 4181 931 40  
Fax +49 4181 931 490  
E-mail: dmn@dmn-schuettguttechnik.de

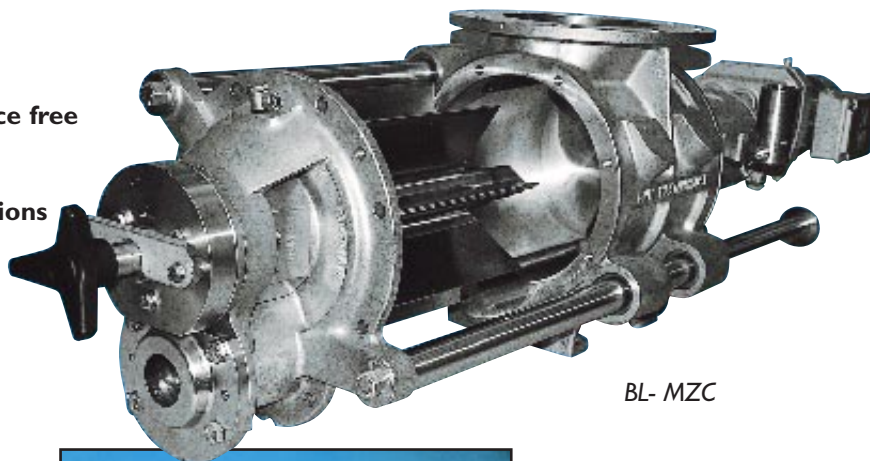
#### DMN Italia S.r.l.

Via Teresa Noce, 2  
20060 Pessano Con Bornago (MI), Italy  
Tel. +39 02 950 4747  
Fax +39 02 950 4775  
E-mail: dmn@dmnitaly.com

#### DMN Incorporated

3895 South Perkins Road, Suite 8  
Memphis, TN 38118, U.S.A.  
Tel. +1 901 360 1537  
Fax +1 901 360 0348  
E-mail: dmnfo@dmn-inc.com

- Supporting bars for easy removal of rotor and end cover
- Direct drive or chain drive
- Narrow, flexible and maintenance free construction with direct drive
- Hygienic, USDA\* approved versions
- Explosion shock resistant and flame proof versions
- Increased safety at work
- Special blow through versions for cyclone and spray drier applications
- Blow through versions with enlarged inlet available



BL- MZC



AL- MZC

### MZC valves

Due to the success in sanitary applications the MZC valves are now available in several versions and materials.

The unit has an easy detachable rotor which can be removed within a few minutes to facilitate inspection and cleaning. The configuration with direct drive has a very narrow construction, especially in the blow through (BL) version where the conveying line passes underneath the drive. The direct drive, in conjunction with a frequency inverter, results in a very flexible and maintenance free unit (no chains or grease).

The extraction mechanism offers a high degree of operator safety and gives the line operators considerable flexibility in cleaning and maintaining the equipment between runs.

The MZC valves are available in 6 sizes covering a capacity range of the rotor from approximately 2.5 to 58 litre per revolution at 100 % filling.

### Product information

The MZC valves are supplied in cast iron and 316 stainless steel. Variations such as nickel and chrome plating and Tungsten coating are equally available.

Rotors for every application are available, such as reduced capacity, scalloped fixed vaned, end disc etc. The rotor clearance has a high accuracy and tight tolerances. The end covers have outboard bearings, lubricated and sealed for life. Eight different types of shaft sealing are available.

For special applications internal and external mirror polishing of the valve is possible. For the blow through valve tri-clamp connections are available.

The standard models are suitable for temperatures up to 150 °C and a pressure up to 1.5 bar g. Some versions are explosion shock resistant and flame proof up to 10 bar g pressure.

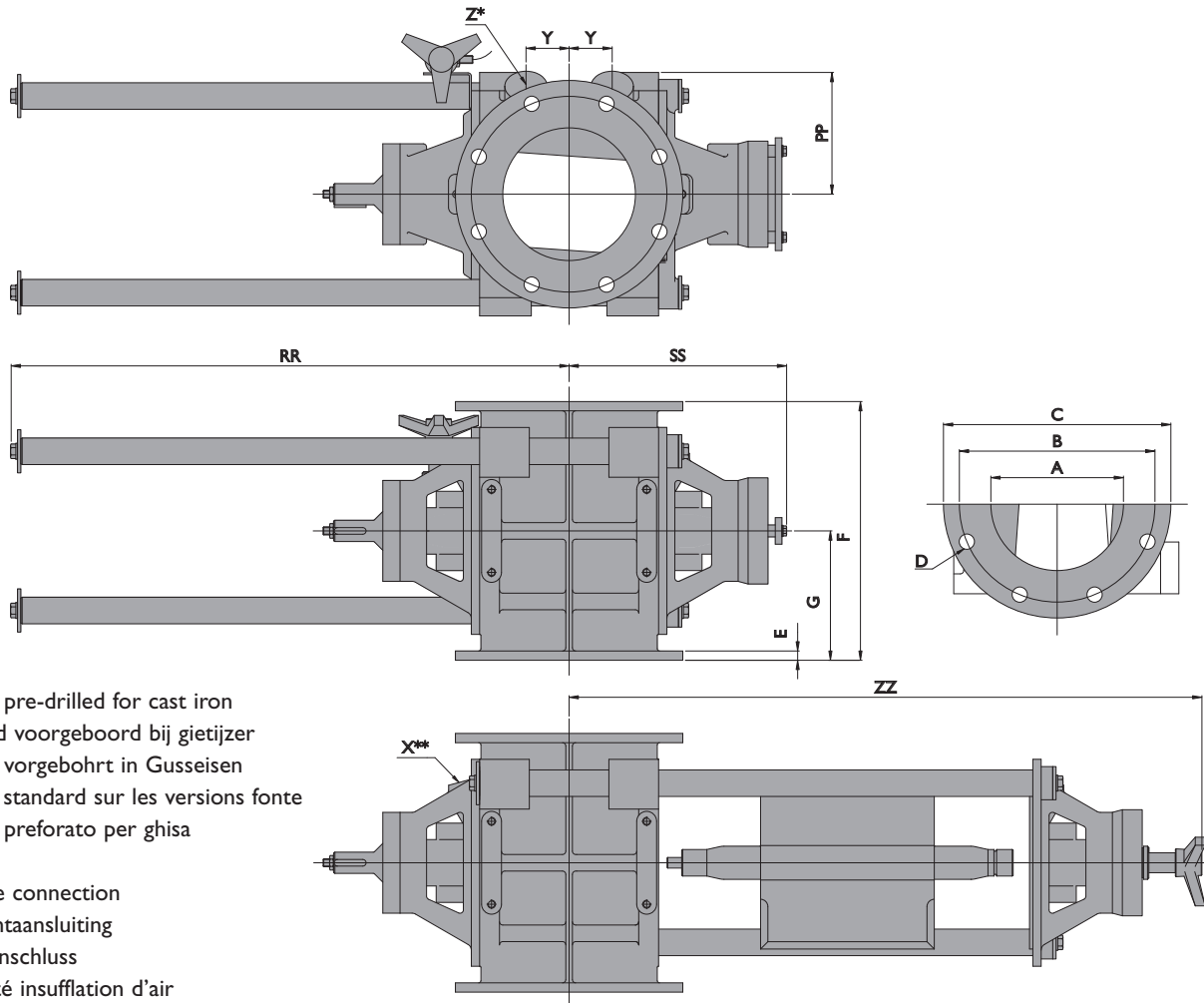
For applications where inlet size is more important than capacity, a range of blow through valves with an enlarged inlet is available in aluminium and 316 stainless steel.

\*United States Department of Agriculture



# DMN-WESTINGHOUSE AL-MZC

## Dimensions AL MZC & AL Dairy MZC



\* Standard pre-drilled for cast iron  
 Standaard voorgeboord bij gietijzer  
 Standard vorgebohrt in Gusseisen  
 Perçages standard sur les versions fonte  
 Standard preforato per ghisa

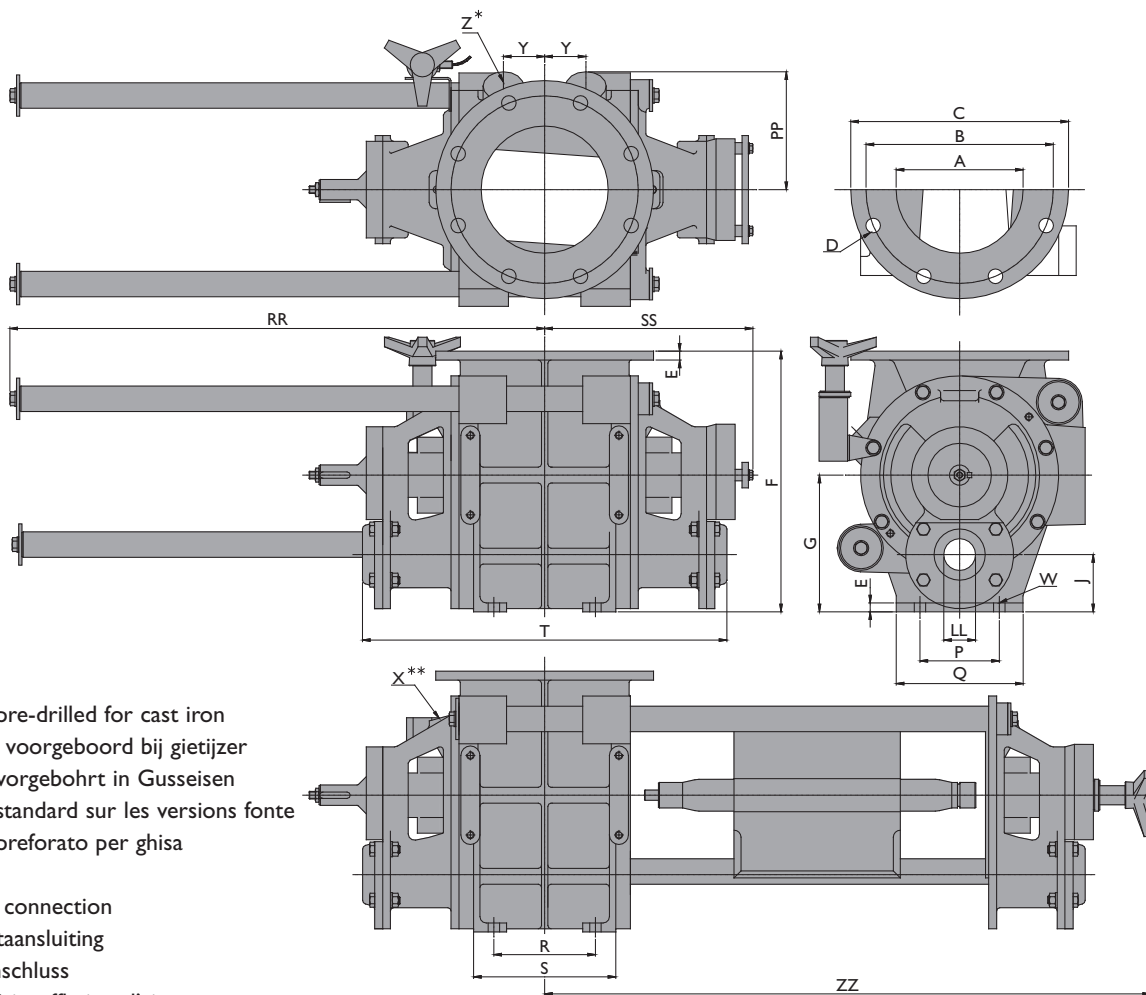
\*\* Air purge connection  
 Spoelluchtaansluiting  
 Luftspülanschluss  
 Étanchéité insufflation d'air  
 Ingresso aria di flussaggio

Type AL	Ltr/rev	ØA	DIN			ANSI			E	F	G	X**	Y	Z*	Z Dairy*
			ØB	D	ØC	ØB	D								
150	2,5	150	240	8xØ23	285	241,3	8xØ22,2	12	280	140	1/4" (Ø10)	40	3/4"	UNEF 1 1/8"	
175	5,5	175	270	8xØ23	315	—	—	14	330	165	1/4" (Ø10)	53	1"	UNEF 1 1/8"	
200	10,5	200	295	8xØ23	343	298,4	8xØ22,2	14	390	195	1/4" (Ø10)	65	1 1/4"	UNEF 1 1/8"	
250	19	250	350	12xØ23	406	361,9	12xØ25,4	16	450	225	1/4" (Ø10)	75	1 1/4"	UNEF 1 1/8"	
300	34	300	400	12xØ23	483	431,8	12xØ25,4	21	540	270	3/8" (Ø10)	95	1 1/2"	UNEF 1 1/8"	
350	58	350	460	16xØ23	530	476,2	12xØ28,6	26	660	330	3/8" (Ø10)	112	1 1/2"	UNEF 1 1/8"	

Type AL	PP	RR	SS	ZZ
150	141	651	252	893
175	154	631	272	873
200	194	853	313	1105
250	218	828	338	1080
300	268	890	404	1151
350	305	1055	440	1313

Technical modifications are possible, dimensions in mm.  
 Technische wijzigingen voorbehouden, maten in mm.  
 Technische Änderungen vorbehalten, Maße in mm.  
 Changements d'exécutions techniques réservés, dimensions en mm.  
 Sono possibili modifiche tecniche, dimensioni in mm.

Dimensions BL MZC & BL Dairy MZC



\* Standard pre-drilled for cast iron  
 Standaard voorgeboord bij gietijzer  
 Standard vorgebohrt in Gusseisen  
 Perçages standard sur les versions fonte  
 Standard preforato per ghisa

\*\* Air purge connection  
 Spoelluchtaansluiting  
 Luftspülanschluss  
 Étanchéité insufflation d'air  
 Ingresso aria di flussaggio

Type BL	Ltr/rev	ØA	DIN			ANSI			E	F	G	J	P	Q	R	S	W	X**
			ØB	D	ØC	ØB	D											
150	2,5	150	240	8xØ23	285	241,3	8xØ22,2	12	295	155	65	110	140	100	154	4xØ12	1/4" (Ø10)	
175	5,5	175	270	8xØ23	315	—	—	14	340	175	75	130	160	130	190	4xØ14	1/4" (Ø10)	
200	10,5	200	295	8xØ23	343	298,4	8xØ22,2	14	410	215	90	160	200	160	230	4xØ18	1/4" (Ø10)	
250	19	250	350	12xØ23	406	361,9	12xØ25,4	16	470	245	100	170	210	200	274	4xØ18	1/4" (Ø10)	
300	34	300	400	12xØ23	483	431,8	12xØ25,4	21	565	295	120	190	240	260	350	4xØ22	3/8" (Ø10)	
350	58	350	460	16xØ23	530	476,2	12xØ28,6	26	665	335	132	220	270	310	410	4xØ22	3/8" (Ø10)	

Type BL	Y	Z*	Dairy		T	LL	T	LL(max)	PP	RR	SS	ZZ
			Z Dairy*	T								
150	40	3/4"	UNEF 1 1/8"	466	35	420	50	141	651	252	893	
175	53	1"	UNEF 1 1/8"	506	50	460	65	154	631	272	873	
200	65	1 1/4"	UNEF 1 1/8"	576	50	534	80	194	853	313	1105	
250	75	1 1/4"	UNEF 1 1/8"	626	70	584	100	218	828	338	1080	
300	95	1 1/2"	UNEF 1 1/8"	684	100	684	125	268	890	404	1151	
350	112	1 1/2"	UNEF 1 1/8"	754	125	754	150	305	1055	440	1313	

### Other DMN-WESTINGHOUSE products:



AL



BL-DAIRY



AML



GL



DL



MLD-MALD-MGLD



SAL



TDV



M-TDV



FDV



PTD



FVV



DUC



SC



OS / GOS

DMN-WESTINGHOUSE have been designing and manufacturing rotary valves, diverter valves and other related components for the bulk solids handling industry for more than 30 years. Offering tailor made solutions for chemical, food, plastics and pharmaceutical industries, DMN-WESTINGHOUSE products are distributed world-wide. Besides an extensive range of standard components, we supply USDA approved sanitary versions and explosion-proof models. An extensive network of subsidiaries, distributors and representatives ensures a high level of service and support all over the world.

© DMN - HOLLAND - 2001

#### Head Office:

**DMN Machinefabriek Noordwykerhout B.V.**

P.O. Box 6, 2210 AA Noordwijkerhout, Holland  
 Tel. +31 252 361 800 Fax +31 252 375 972/934  
 E-mail: [dmn@dmn-nwh.nl](mailto:dmn@dmn-nwh.nl)

**Internet: [www.dmn.info](http://www.dmn.info)**



#### Subsidiaries:

**DMN U.K. Ltd.**  
 Unit 1&2, Harris Road,  
 Porte Marsh Industrial Estate  
 Calne, Wiltshire, SN 11 9PT, U.K.  
 Tel. +44 1249 818 400  
 Fax +44 1249 818 410  
 E-mail: [dmn@dmnuk.com](mailto:dmn@dmnuk.com)

**DMN Schüttguttechnik GmbH**  
 Rütgerstrasse 8  
 D-21244 Buchholz i.d. Ndh, Germany  
 Tel. +49 4181 931 40  
 Fax +49 4181 931 490  
 E-mail: [dmn@dmn-schuettguttechnik.de](mailto:dmn@dmn-schuettguttechnik.de)

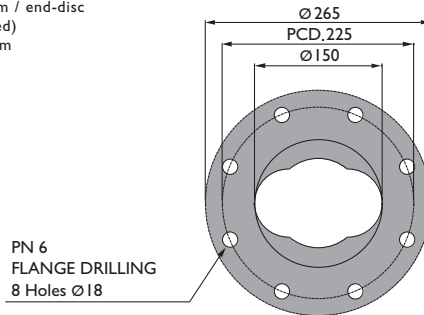
**DMN Italia S.r.l.**  
 Via Teresa Noce, 2  
 20060 Pessano Con Bornago (MI), Italy  
 Tel. +39 02 950 4747  
 Fax +39 02 950 4775  
 E-mail: [dmn@dmnitaly.com](mailto:dmn@dmnitaly.com)

**DMN Incorporated**  
 3895 South Perkins Road, Suite 8  
 Memphis, TN 38118, U.S.A.  
 Tel. +1 901 360 1537  
 Fax +1 901 360 0348  
 E-mail: [dmnfo@dmn-inc.com](mailto:dmnfo@dmn-inc.com)

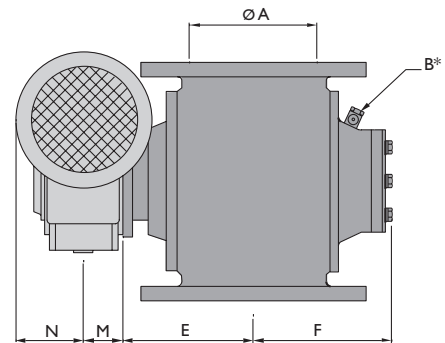
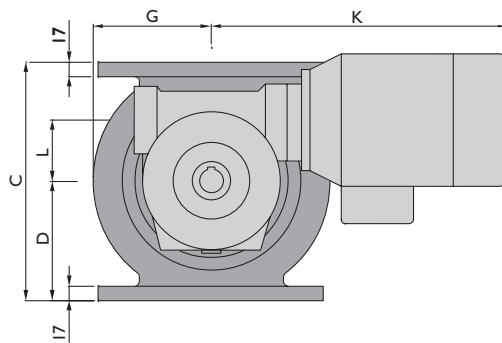
## DMN-WESTINGHOUSE

Note:  
 Rotor size 80-100 (Solid)  
 6 rounded pocket form / end-disc  
 Rotor size 150 (Fabricated)  
 8 rounded pocked form

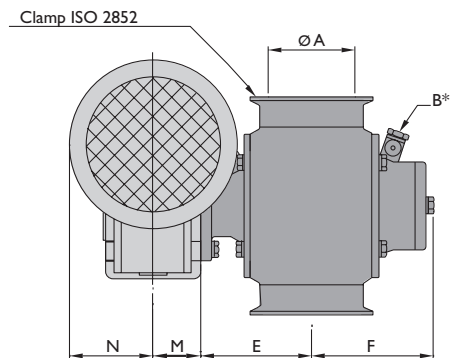
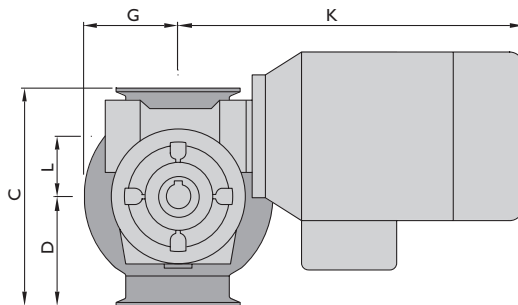
Technical modifications are possible, dimensions in mm SAL.M.01.01.C



### SAL 150



### SAL 80/100



DMN-WESTINGHOUSE have been designing and manufacturing rotary valves, diverter valves and other related components for the bulk solids handling industry for more than 30 years. Offering tailor made solutions for chemical, food, plastics and pharmaceutical industries, DMN-WESTINGHOUSE products are distributed world-wide. Besides an extensive range of standard components, we supply USDA approved sanitary versions and explosion-proof models. An extensive network of subsidiaries, distributors and representatives ensures a high level of service and support all over the world.

Type SAL	Ltr/rev	ØA	SIZE	B*	C	D	E	F	G
80	0,25	72,9	76,1	Ø6-1/8"	160	80	82	95	70
100	0,8	97,6	101,6	Ø6-1/8"	210	105	105	115	95
150	2,5	150		Ø8-1/4"	280	140	154	162,5	139

\*Optie luchtaansluiting.  
 Option airpurge.  
 Option Luftabdichtung.  
 Option insufflation d'air.  
 Opzione flussaggio

Type SAL	Bonfiglioli drive	K	L	M	N
80	VF44P	255	44,6	35	62
100	VF49P	260	49,5	37	62
150	VF72P	349	72	46	78

SEW drive	K	L	M	N
WA20	250	23	47,5	66
WA30	261	30	58	72,5

**Head Office:**  
**DMN Machinefabriek Noordwykerhout B.V.**  
 P.O. Box 6, 2210 AA Noordwijkerhout, Holland  
 Tel. +31 252 361 800 Fax +31 252 375 972/934  
 E-mail: dmn@dmn-nwh.nl

**Internet: www.dmn.info**



© DMN - HOLLAND - 2002

**Subsidiaries:**  
**DMN U.K. Ltd.**  
 Unit 1&2, Harris Road,  
 Porte Marsh Industrial Estate  
 Calne, Wiltshire, SN 11 9PT, U.K.  
 Tel. +44 1249 818 400  
 Fax +44 1249 818 410  
 E-mail: dmn@dmnuk.com

**DMN Schüttguttechnik GmbH**  
 Rütgerstrasse 8  
 D-21244 Buchholz i.d. Ndh, Germany  
 Tel. +49 4181 931 40  
 Fax +49 4181 931 490  
 E-mail: dmn@dmn-schuetttguttechnik.de

**DMN Italia S.r.l.**  
 Via Teresa Noce, 2  
 20060 Pessano Con Bornago (MI), Italy  
 Tel. +39 02 950 4747  
 Fax +39 02 950 4775  
 E-mail: dmn@dmnitaly.com

**DMN Incorporated**  
 3895 South Perkins Road, Suite 8  
 Memphis, TN 38118, U.S.A.  
 Tel. +1 901 360 1537  
 Fax +1 901 360 0348  
 E-mail: dmnfo@dmn-inc.com

## DMN-WESTINGHOUSE

- For sanitary use
- Easy detachable rotor
- Low capacity
- Complete valve highly polished (inside and outside)
- Product surfaces FDA\* approved
- Maximum product temperature up to 100 °C
- System pressure up to 1 bar g



### SAL Small Sanitary Valve

The DMN-WESTINGHOUSE SAL (Sanitary Air Lock) is a low capacity rotary valve with a highly polished surface on both the inside and outside. This valve is specially designed for metering purposes in applications where very high hygienic standards, ease of operation and cleaning are required. Therefore the SAL is very suitable for use in the pharmaceutical, food and chemical industries.

The valve is machined from solid stainless steel, not cast material. The complete valve can be dismantled for inspection and cleaned in a matter of minutes, thus reducing eventual downtime and production loss.

### Product information

The SAL is available in three sizes: DN80, DN100 and DN150, with capacities of 0.25, 0.8 and 2.5 ltr/rev. The valve sizes 80 and 100 are made from solid DIN 1.4404 (AISI 316L) stainless steel, and have an easy detachable full end disc rotor with 6 rotor pockets and tri-clamp flange connections. The SAL 150 is the same as the sizes 80 and 100 except that the rotor is of a fabricated open end design (Daibi rotor) and the flange connections are DN150 (6") drilled according to PN 6.

The standard version has an easy detachable rotor, inboard bearings and a direct drive with PTFE lip seals for the shaft sealing. The standard versions are suitable for handling products up to 100 °C and a system pressure of 1 bar g.

Optional are an air motor or DC motor, as well as an air purge rotor shaft sealing. Other variations on the standard valve configuration are available on request.

\* Food and Drugs Administration



# AL-BL

DMN-WESTINGHOUSE

- High filling efficiency
- Sheared angle inlet
- Minimum air leakage
- Explosion proof models available up to 10 bar g
- Customised solutions
- Bored flanges in accordance with PN 10, ANSI 150 lbs and JIS



## AL-BL

The AL air locks and BL blow through valves have been designed by DMN-WESTINGHOUSE for many applications in the metering and pneumatic conveying of products in powder and granular form. These valves are the result of 30 years continuous development.

An extensive and flexible range of rotary valves is available. Due to the modular design of the valves many different configurations are available, using standard components. (See next page)

The product line also includes USDA approved models for sanitary use in the food and pharmaceutical industry: the types DAIRY and DAIRY MZC. These stainless steel valves are easy detachable in a few minutes and meet the highest hygienic standards.

The AL valves are available in 10 consecutive sizes from 100 - 500, covering a capacity range from 0.8 - 230 liter per revolution at 100 % filling. In the 400 - 500 sizes the valves can be supplied with square in- and outlet (type OS). The blow through valves are available in the BL-version 150-350 and the GOS version 400-500. See last page for a photo of the GOS version. Further information is available on request.

Drive options include chain, direct, air and hydraulic drive.

## Product information

DMN-WESTINGHOUSE provides tailor made products to meet your every requirement.

The standard models are suitable for products up to a temperature of 150 °C and maximum pressure difference of 2 bar. Special configurations are available to accommodate temperatures between -200 °C and +900 °C. Configurations pressure shock resistant up to 10 bar g and explosion proof models are also available.

The AL valve is available with an optional body having one round and one square flange and a larger diameter inlet (AML version). The AML valve can also be used as a transition piece from round to square or vice versa. See last page for a photograph of the AML.

All models offer optimum venting through the large vent holes, standard pre-drilled and plugged on cast iron based versions, optional on stainless steel and aluminium versions.

The AL and BL valves are assembled with the following standard components (like the other DMN-WESTINGHOUSE valves)

**Housing and end covers**

- cast iron
- cast iron, hard chromium plated internally
- cast iron, electroless nickel plated internally
- cast iron, provided with a tungsten carbide wear layer
- stainless steel 316

**Rotors**

- fixed blades
- provided with replaceable and adjustable blades
- with reduced capacity and replaceable blades
- with rounded pockets and fixed blades
- with end plates

**Shaft materials**

- steel
- stainless steel 316
- options with hard chromium or tungsten carbide coating

**Rotor blades**

- steel
- steel, hardened
- steel, hard chromium plated or electroless nickel plated
- stainless steel 316
- plastic (polyurethane, Teflon etc.)
- brass
- hardened steel or hardened stainless steel
- scraper blades (optional chrome plating)
- chamfered

**Variations on standard components are available**

**Shaft seals:**

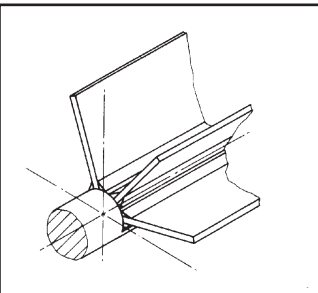
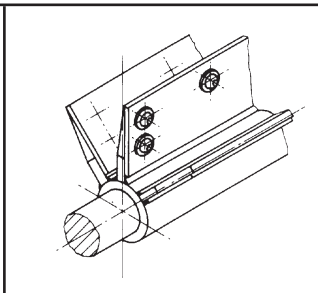
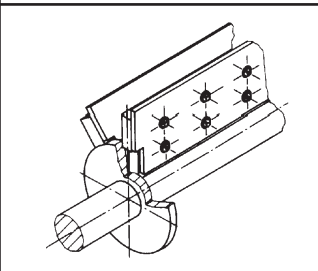
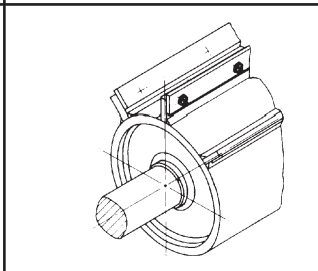
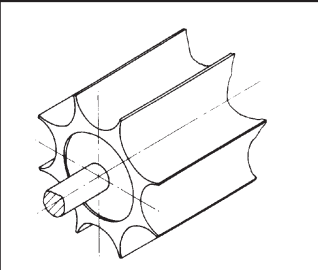
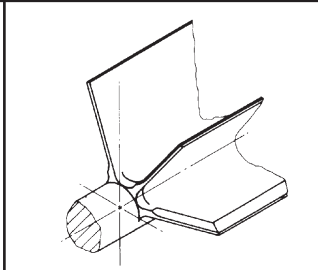
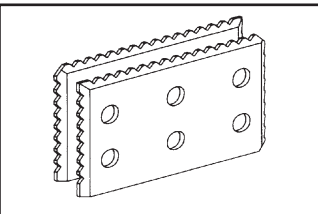
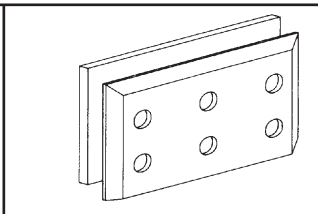
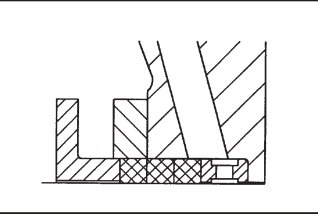
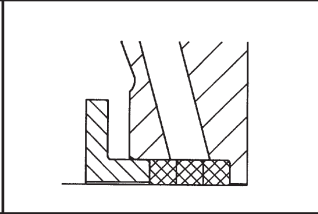
packing ring or air purged type seals according to customer's requirements.

**Bearings:**

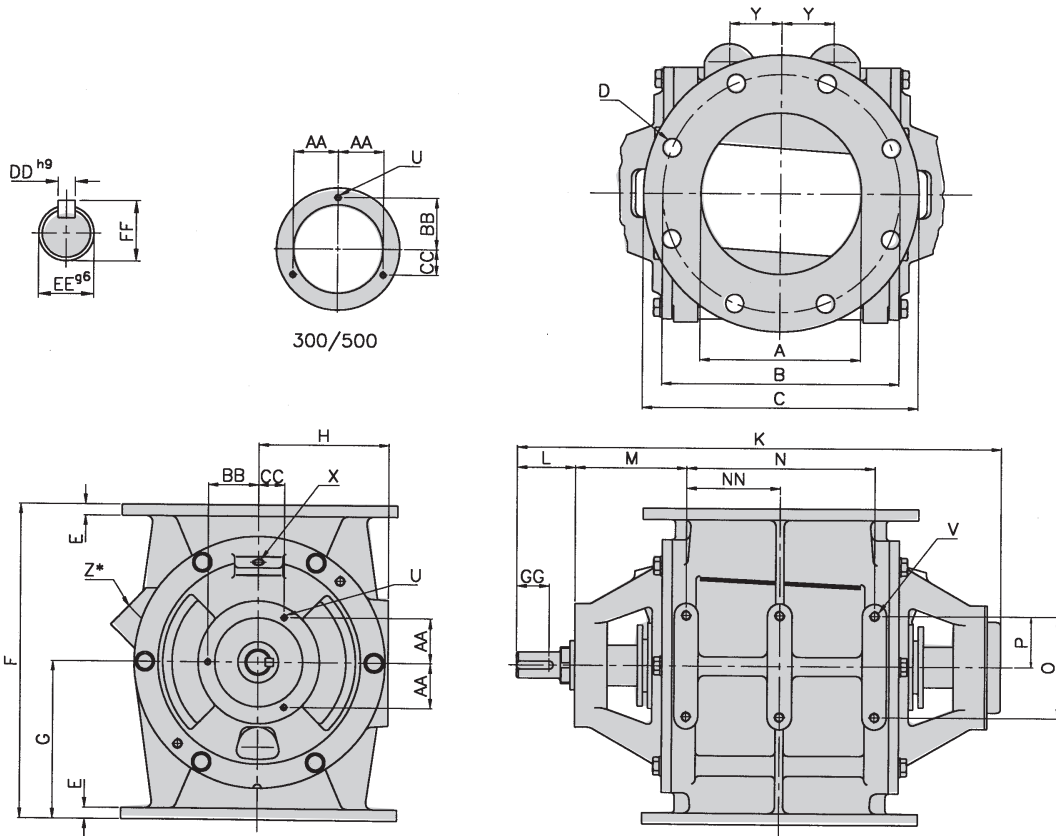
outrigged ball-bearings, sealed for life.

**Body vents:**

Standard on cast iron based versions pre-drilled and plugged, optional on stainless steel and aluminium.

	
Rotor with fixed blades	Rotor with replaceable and adjustable blades
	
Semi end disc rotor	RC rotor
	
Scalloped rotor	Daibi rotor
	
Scraper blades	(Not) chamfered blades
	
Air purge seals	Gland packing seals

We shall be pleased to send you at your request further detailed documentation or information concerning our AL/BL range, or any other DMN-WESTINGHOUSE products.

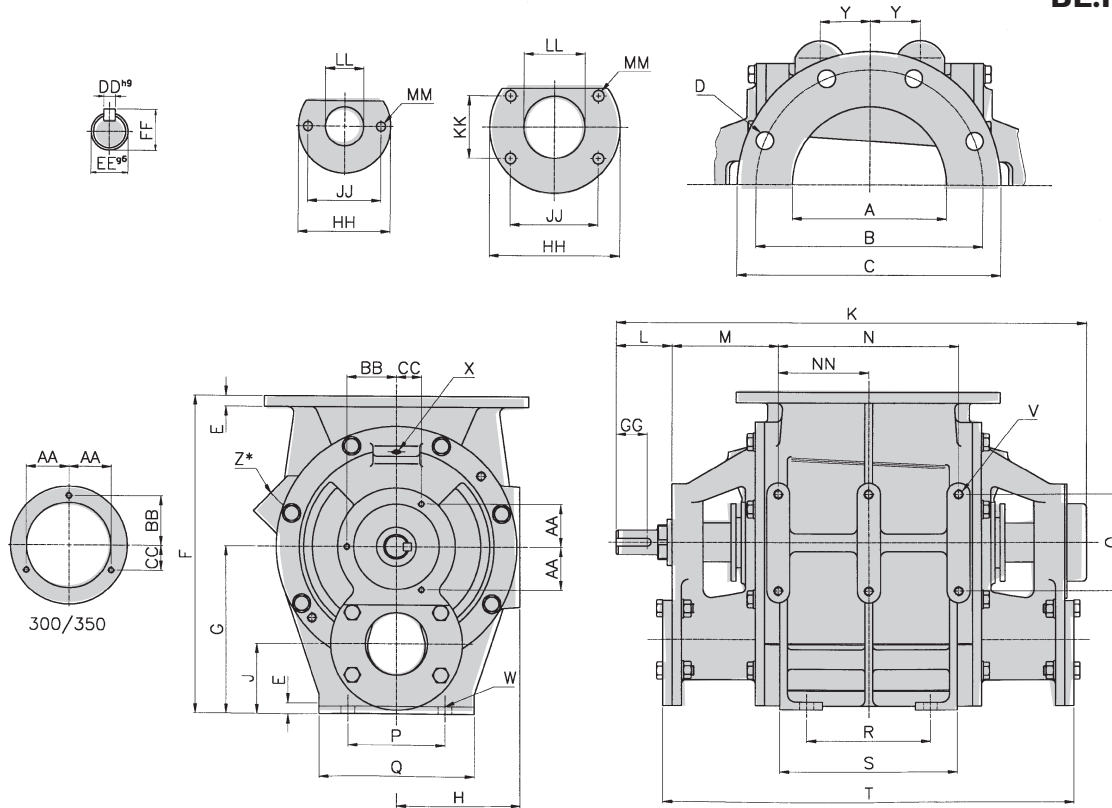


TYPEAL	Ltr./rev	ØA	ØB DIN	D DIN	ØC	ØB ANSI	D ANSI	E	F	G	H	K	L	M	N	NN	O
100	0,8	100	170	4xØ18	210			10,5	180	90	90	327	52	84	90		75
150	2,5	150	240	8xØ23	285	241,3	8xØ22,2	12	280	140	110	484	60	127	146		100
175	5,5	175	270	8xØ23	315			14	330	165	130	524	60	125	190		100
200	10,5	200	295	8xØ23	343	298,4	8xØ22,2	14	390	195	160	609	72	138	234		125
250	19	250	350	12xØ23	406	361,9	12xØ25,4	16	450	225	190	659	72	138	284	142	125
300	34	300	400	12xØ23	483	431,8	12xØ25,4	21	540	270	225	763	74	150	360	180	125
350	58	350	460	16xØ23	530	476,2	12xØ28,6	26	660	330	270	833	74	155	420	210	125
400	91	400	515	16xØ26	595	539,7	16xØ28,6	26	750	375	325	950	103	154	500	250	200
450	135	450	565	20xØ26	615	577,8	16xØ31,7	26	855	427,5	380	1063	101	170	572	286	300
500	230	500	620	20xØ27	670	635	20xØ31,7	28	960	480	435	1147	110	171	650	325	340

TYPEAL	P	U	V	X	Y	Z	AA	BB	CC	DD	EE	FF	GG
100	32,5	2xM6	4xM8	1/8"			35			8	25	28	39
150	50	3xM6	4xM10	1/4"	40	3/4" *	37,1	52,5	37,1	8	30	33	36
175	50	3xM6	4xM10	1/4"	53	1" *	37,1	52,5	37,1	8	30	33	36
200	62,5	3xM8	4xM12	1/4"	65	1 1/4" *	55,4	64	32	10	32	35	44
250	62,5	3xM8	6xM12	1/4"	75	1 1/4" *	55,4	64	32	10	32	35	44
300	62,5	3xM10	6xM12	3/8"	95	1 1/2" *	73,6	85	42,5	10	38	41	45
350	62,5	3xM10	6xM12	3/8"	112	1 1/2" *	73,6	85	42,5	10	38	41	45
400	100	3xM10	6xM16	3/8"	125	2"	73,6	85	42,5	14	50	54	70
450	150	3xM10	6xM16	3/8"	163	2"	73,6	85	42,5	18	60	64	70
500	130	3xM10	6xM16	3/8"	180	2"	99,6	115	57,5	18	60	64	70

\* Standard pre-drilled for cast iron.

Technical modifications are possible, dimensions in mm.



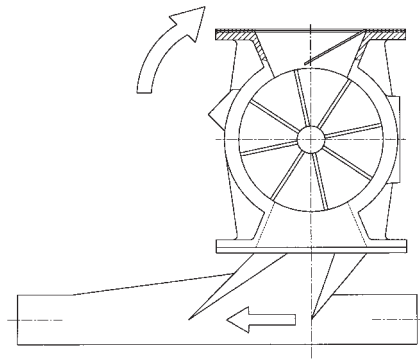
TYPE BL	Ltr./U	ØA	ØB DIN	D DIN	ØC	ØB ANSI	D ANSI	E	F	G	H	J	K	L	M	N
150	2,5	150	240	8xØ23	285	241,3	8xØ22,2	12	295	155	110	65	484	60	127	146
175	5,5	175	270	8xØ23	315			14	340	175	130	75	524	60	125	190
200	10,5	200	295	8xØ23	343	298,4	8xØ22,2	14	410	215	160	90	609	72	138	234
250	19	250	350	12xØ23	406	361,9	12xØ25,4	16	470	245	190	100	659	72	138	284
300	34	300	400	12xØ23	483	431,8	12xØ25,4	21	565	295	225	120	763	74	150	360
350	58	350	460	16xØ23	530	476,2	12xØ28,6	26	665	335	270	132	833	74	155	420

TYPE BL	NN	O	P	Q	R	S	T	U	V	W	X	Y	Z*	AA	BB	CC	DD
150		100	110	140	100	154	420	3 x M6	4 x M10	4 x Ø12	1/4"	40	3/4"	37,1	52,5	37,1	8
175		100	130	160	130	190	460	3 x M6	4 x M10	4 x Ø14	1/4"	53	1"	37,1	52,5	37,1	8
200		125	160	200	160	230	534	3 x M8	4 x M12	4 x Ø18	1/4"	65	1 1/4"	55,4	64	32	10
250	142	125	170	210	200	274	584	3 x M8	6 x M12	4 x Ø18	1/4"	75	1 1/4"	55,4	64	32	10
300	180	125	190	240	260	350	684	3 x M10	6 x M12	4 x Ø23	3/8"	95	1 1/2"	73,6	85	42,5	10
350	210	125	220	270	310	410	754	3 x M10	6 x M12	4 x Ø23	3/8"	112	1 1/2"	73,6	85	42,5	10

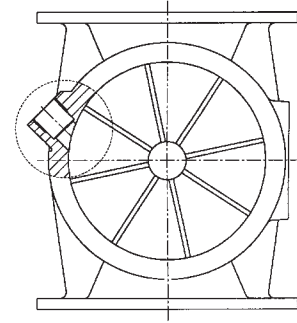
TYPE BL	EE	FF	GG	HH	JJ	KK	LL	MM
150	30	33	35	120	95		50	2xØ12
175	30	33	35	140	103,9	60,4	65	4xØ12
200	32	35	43	170	114,7	80,3	80	4xØ14
250	32	35	43	190	125	100	100	4xØ14
300	38	41	44	230	163,8	114,7	125	4xØ14
350	38	41	44	244	152	152	150	4xØ14

\* Standard pre-drilled for cast iron.

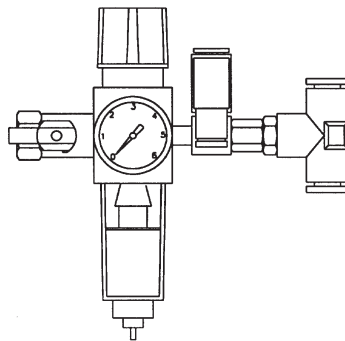
**Accessoires:**



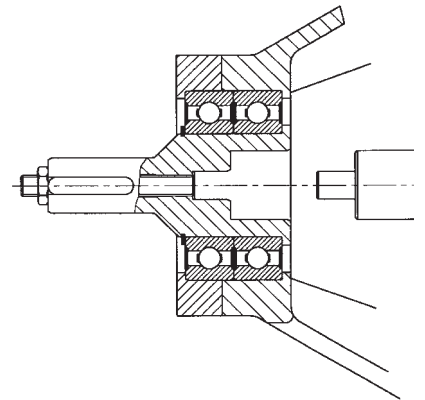
*Inlet restrictor and drop out box*



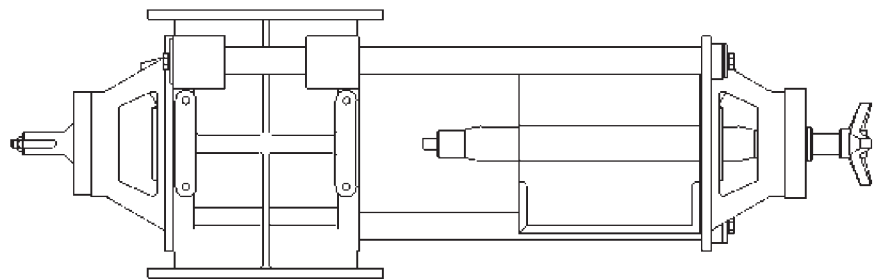
*Vent openings in body*



*Air purge regulation station*

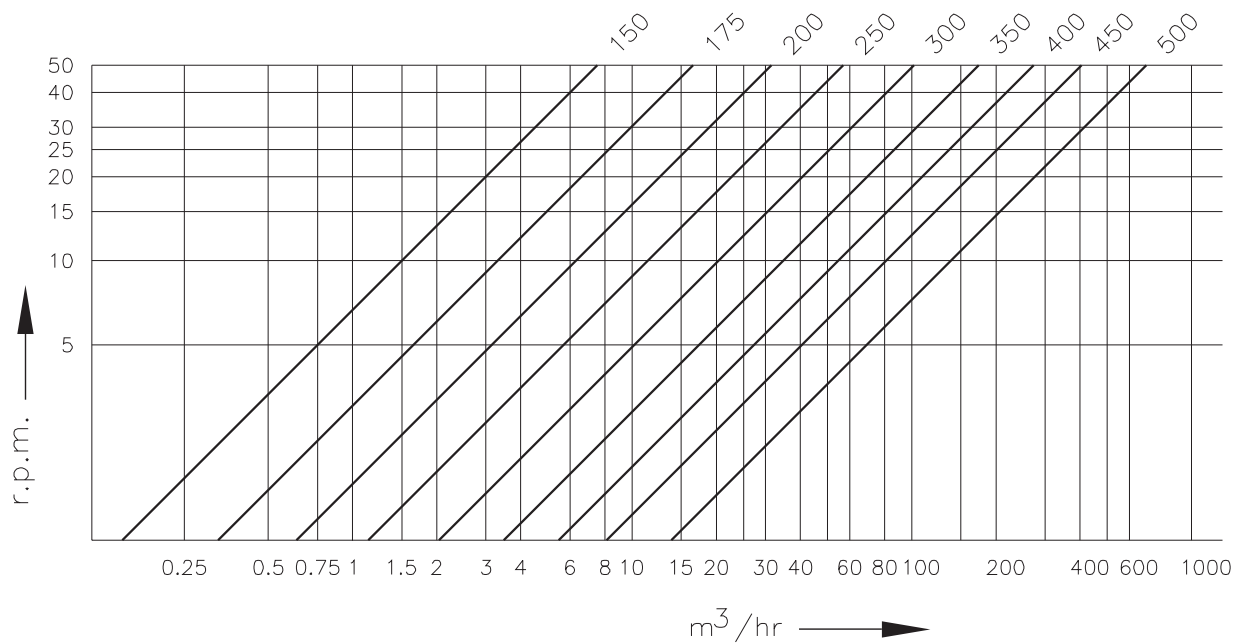


*Easy detachable version*



*Easy detachable MZC version*

**Capacity graph**  
filling efficiency 100%





## Other DMN-WESTINGHOUSE products:



AL-DAIRY



BL-MZC



AML



GL



DL



MLD-MALD-MGLD



SAL



TDV



M-TDV



PTD



FVV



FDV



DUC



SC



OS / GOS

DMN-WESTINGHOUSE have been designing and manufacturing rotary valves, diverter valves and other related components for the bulk solids handling industry for more than 30 years. Offering tailor made solutions for chemical, food, plastics and pharmaceutical industries, DMN-WESTINGHOUSE products are distributed world-wide. Besides an extensive range of standard components, we supply USDA approved sanitary versions and explosion-proof models. An extensive network of subsidiaries, distributors and representatives ensures a high level of service and support all over the world.

© DMN - HOLLAND - 2002

### Head Office:

**DMN Machinefabriek Noordwykerhout B.V.**

P.O. Box 6, 2210 AA Noordwijkerhout, Holland

Tel. +31 252 361 800, Fax +31 252 375 972 / 934

E-mail: [dmn@dmn-nwh.nl](mailto:dmn@dmn-nwh.nl)

**Internet: [www.dmn-nwh.nl](http://www.dmn-nwh.nl)**



**DMN**  
WESTINGHOUSE

### Subsidiaries:

#### DMN U.K. Ltd.

Unit 1&2, Harris Road,  
Porte Marsh Industrial Estate  
Calne, Wiltshire, SN 11 9PT, U.K.  
Tel. +44 1249 818 400  
Fax +44 1249 818 410  
E-mail: [dmn@dmnuk.com](mailto:dmn@dmnuk.com)

#### DMN Schüttguttechnik GmbH

Rütgerstrasse 8  
D-21244 Buchholz i.d. Ndh,  
Germany  
Tel. +49 4181 931 40  
Fax +49 4181 931 490  
E-mail: [dmn@dmn-schuettingtechnik.de](mailto:dmn@dmn-schuettingtechnik.de)

#### DMN Italia S.r.l.

Via Teresa Noce, 2  
20060 Pessano Con Bornago (MI),  
Italy  
Tel. +39 02 950 47 47  
Fax +39 02 950 47 75  
E-mail: [dmn@dmnitaly.com](mailto:dmn@dmnitaly.com)

#### DMN Incorporated

3895 South Perkins Road, Suite 8  
Memphis, TN 38118, U.S.A.  
Tel. +1 901 360 1537  
Fax +1 901 360 0348  
E-mail: [dmnfo@dmn-inc.com](mailto:dmnfo@dmn-inc.com)